

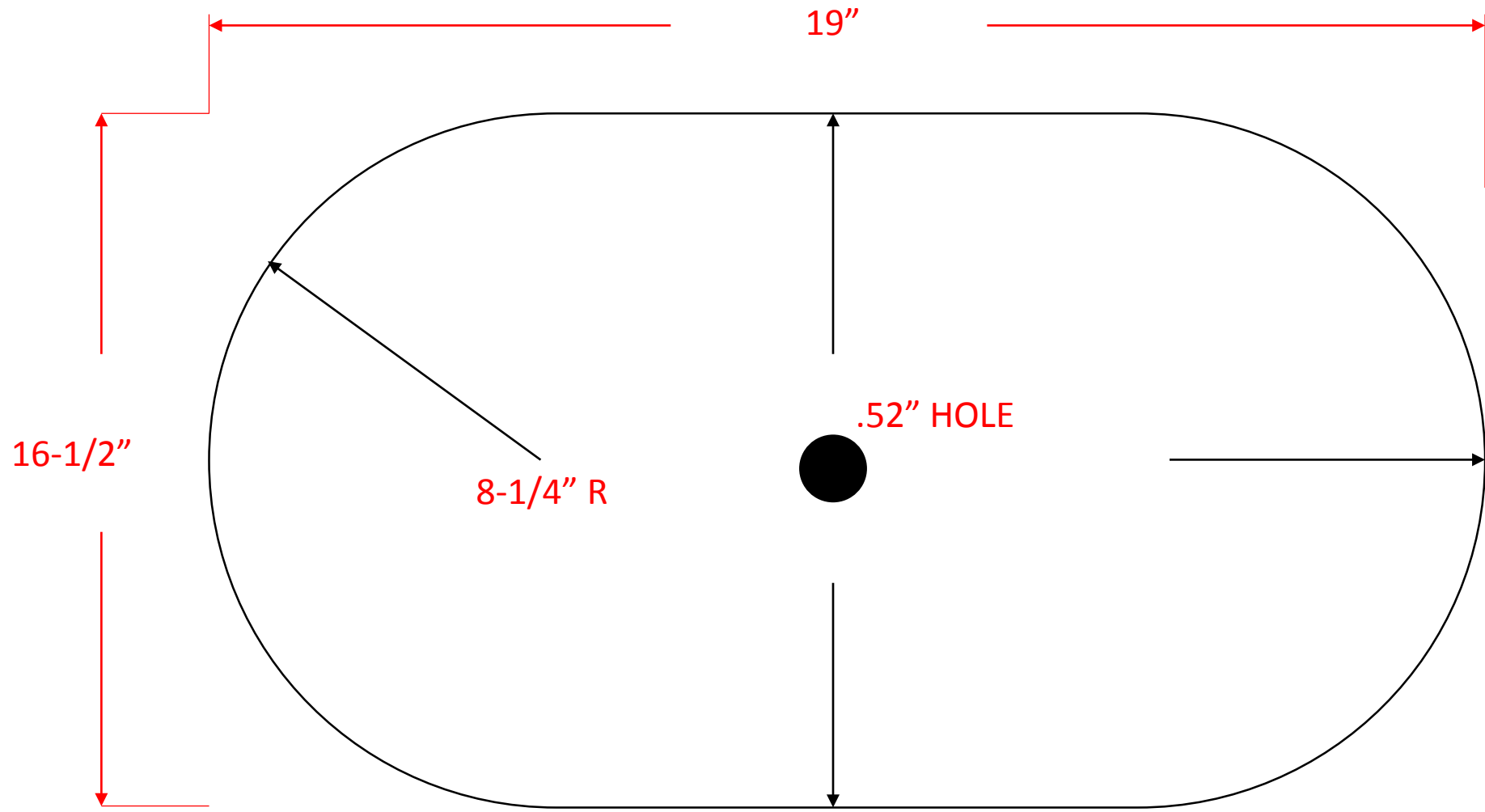


7635 RONSON ROAD • SAN DIEGO, CALIFORNIA 92111 • TEL: 858-278-3270 • FAX: 858-278-2950  
E-MAIL: [sales@sandiegoseal.com](mailto:sales@sandiegoseal.com) • VISIT US AT: [www.sandiegoseal.com](http://www.sandiegoseal.com)

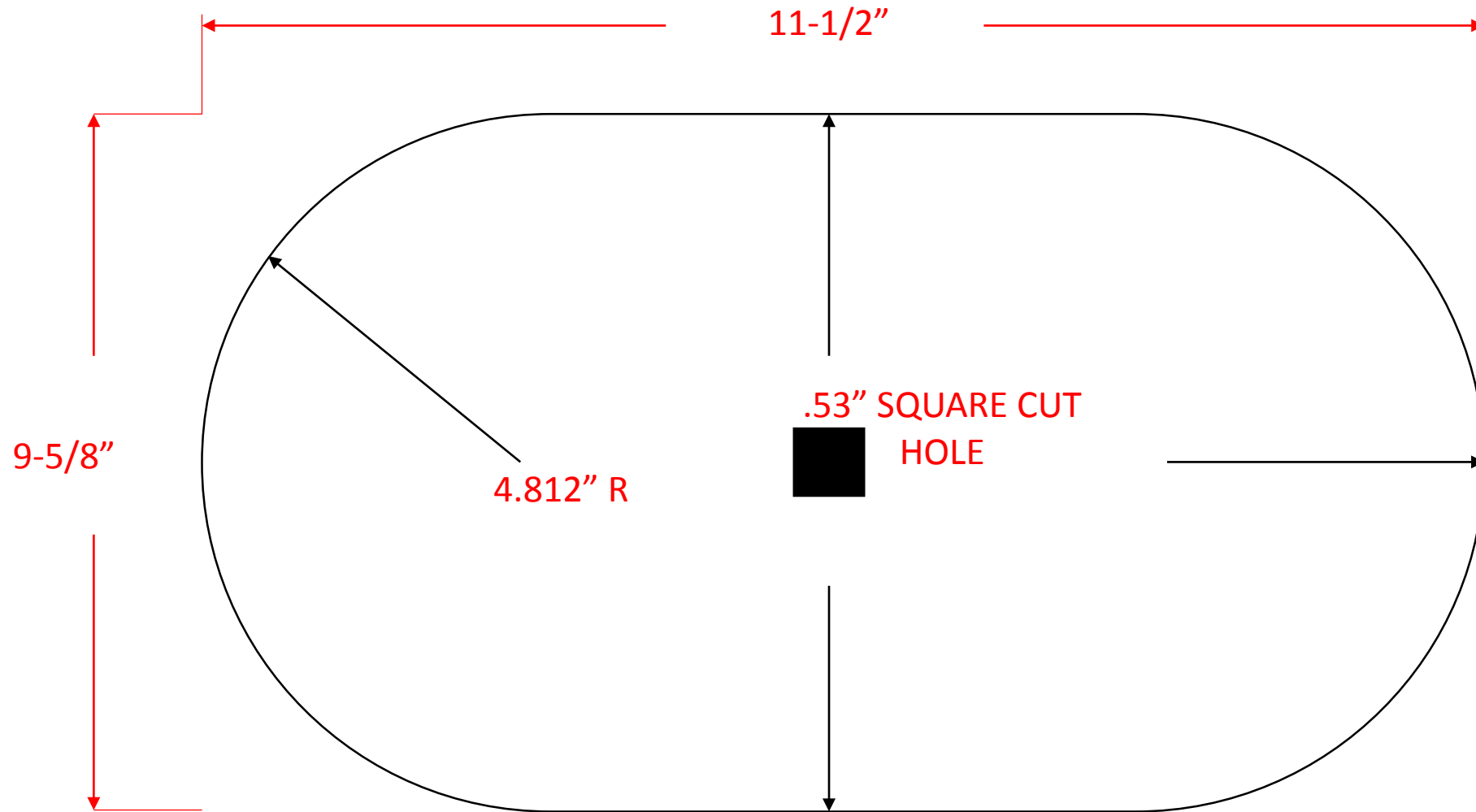


**MOORING CHOCK  
PLUG  
PN: SDS-19161110-A**





.250" THICK ALUMINUM



.250" THICK ALUMINUM